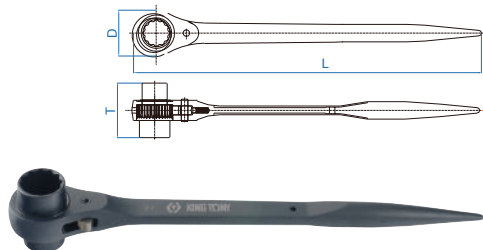


Podger Ratchet Wrench

1500

- Double sizes ratchet head
- Reversible switch for tightening and loosening the screw
- Taper end bar
- For scaffolding construction work
- 32 teeth



KT NO.	mm	T mm	D mm	L mm	g	kg	boxes
15001012P	10 x 12	38	31	241	209.4	2 / 120	
15001113P	11 x 13	38	31	241	209.4	2 / 120	
15001214P	12 x 14	38	31	241	220	2 / 120	
15001317P	13 x 17	45	34	280	280	2 / 90	
15001415P	14 x 15	45	34	280	280	2 / 90	
15001417P	14 x 17	45	34	280	280	2 / 90	
15001719P	17 x 19	50	42	320	506	2 / 40	
15001721P	17 x 21	50	42	320	506	2 / 40	
15001921P	19 x 21	50	42	320	506	2 / 40	
15001922P	19 x 22	50	42	320	506	2 / 40	
15001924P	19 x 24	56	51.5	365	820	2 / 24	
15002123P	21 x 23	56	51.5	365	820	2 / 24	
15002224P	22 x 24	56	51.5	365	830	2 / 24	
15002326P	23 x 26	56	51.5	365	830	2 / 24	
15002427P	24 x 27	56	51.5	365	830	2 / 24	
15002430P	24 x 30	63	61.5	402	1150	2 / 16	
15002632P	26 x 32	63	61.5	402	1150	2 / 16	
15002730P	27 x 30	63	61.5	402	1150	2 / 16	
15002732P	27 x 32	63	61.5	402	1150	2 / 16	
15003032P	30 x 32	63	61.5	402	1150	2 / 16	
15003236P	32 x 36	67	67	450	1525	2 / 8	
15003638P	36 x 38	67	67	450	1525	2 / 8	
15003641P	36 x 41	67	67	450	1525	2 / 8	
15003841P	38 x 41	67	67	450	1470	2 / 8	



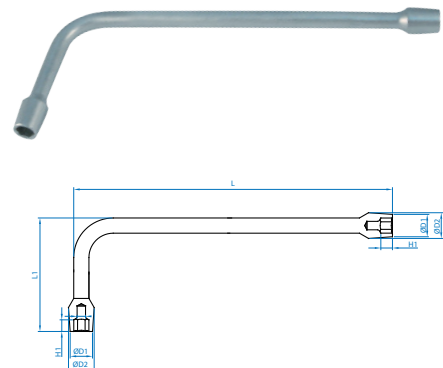
Angled Socket Wrench & Set

1084

5084



- Conic profile and thin walled
- Convenient to facilitate the force-depth objects
- Chrome plated



KT NO.	mm	D1 mm	D2 mm	H1 mm	L1 mm	L mm	g	kg	boxes
1084-08	8	12.5	14.0	10	88	230	152	12 / 48	
1084-09	9	14.0	15.5	10	88	230	153	12 / 48	
1084-10	10	15.0	16.5	10	88	230	187	10 / 40	
1084-11	11	16.0	17.5	11	88	230	192	10 / 40	
1084-12	12	17.4	19.5	12	98	245	298	6 / 30	
1084-13	13	18.9	21.0	12	98	245	313	6 / 30	
1084-14	14	19.8	22.0	12	98	260	332	6 / 24	
1084-15	15	21.7	24.0	13	98	260	344	6 / 24	
1084-16	16	22.2	24.5	13	98	260	350	6 / 24	
1084-17	17	24.5	27.0	14	98	260	475	6 / 24	
1084-18	18	25.5	28.0	15	98	260	484	6 / 24	
1084-19	19	27.1	30.0	15	98	260	588	6 / 24	

KT NO.	inch	D1 mm	D2 mm	H1 mm	L1 mm	L mm	g	kg	boxes
5084-16	1/2	18.9	21.0	23	12	245	315	6 / 30	
5084-18	9/16	19.8	22.0	23	12	260	338	6 / 24	



► Nylon pouch bag

KT NO.	PC.	Contents	kg	boxes
1839MR	9	8, 10, 11, 12, 13, 14, 15, 17, 19	3.2	1 / 6
1842MR	12	8, 9, 10, 11, 12, 13, 14, 15, 16, 17, 18, 19	4.2	1 / 6