

Universal Adjustable Wheel Bearing Lock Nut Wrench

9HBN01

3/4"

- For disassemble and assemble vario nut and cap
- Extra slim design suitable to reach narrow space for special nut
- Use with 3/4" DR. tools and suggest to lock by torque wrench
- Application for 6PT, 8PT and round nut
- Adjustable open jaw 50~150mm

Contents:

3 pairs round adapter for round nut : 6mm, 8mm, 10mm

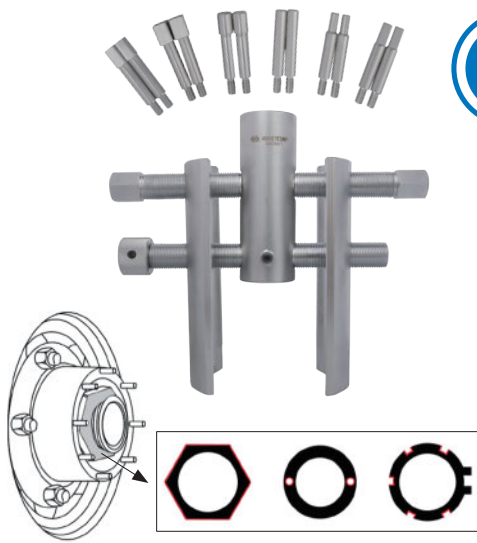
3 pairs square adapter for round nut : 1/4", 5/16", 3/8"

3.68  1 / 5



13 PC.

3/4" DR.



Drop Forged Coil Spring Compressor Set

9BF11

9BF21

- Drop forged SCM435 jaws & leaded screws
- Both 21mm 6-point sockets and 1/2" wrench are available
- Suitable for limited space under wheel arch

6 PC.







9BF11



9BF21



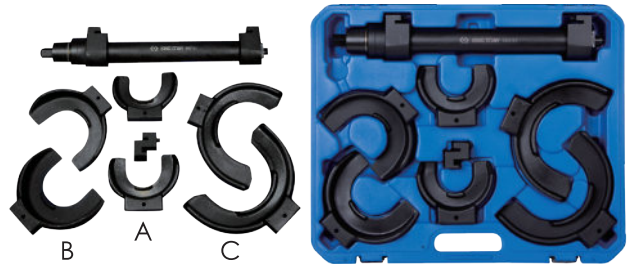
KT NO.	L mm				
9BF11	85 / 370	1/2"	21	2.40	1 / 6
9BF21	85 / 270	1/2"	21	3.36	1 / 6

Coil Spring Compressor Set

9BF31

- Developed for "Macpherson" suspensions, using a range of 3 sets interchangeable monobloc forks
- Spring specification / use :
 - A : Ø80~115mm
 - B : Ø110~150mm
 - C : Ø140~195mm
- Suitable for BMW, Ford, VW, Audi, Porsche, Saab, Opel, Volvo, Nissan, Honda, Mitsubishi, Subaru, Toyota

8 PC.



KT NO.	L mm	Capacity mm		
9BF31	460	40~300	15.00	1 / 1

Steering Wheel Puller Set

9BG11

- Easy to remove and install steering wheel for cars and trucks
- 2 sets 17mm hex head puller with pointed and flat cups
- 4 sets side bolts
- Small plate Dia. :
 - 1"~3-11/16" 25~95mm
- Large plate Dia. :
 - 1-1/8"~5" 28~125mm
- Side bolts size :
 - 3 PC. 5/16" UNC x 3-1/2" long puller bolts
 - 3 PC. 5/16" UNF x 3" long puller bolts
 - 3 PC. 3/8" UNC x 3" long puller bolts
 - 3 PC. 3/8" UNF x 3" long puller bolts

4.10  1 / 6



18 PC.