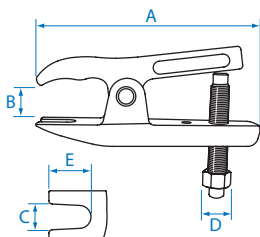


Ball Joint Extractor

9BE11

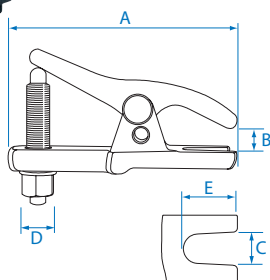
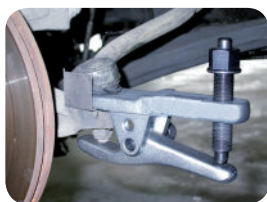
- Drop forged steel body



KT NO.	A mm	B(mm) Max Min	C mm	D mm	E mm	⚖️	📦
9BE11	160	50 12	19	19	25	1080	1 / 12

9BE21

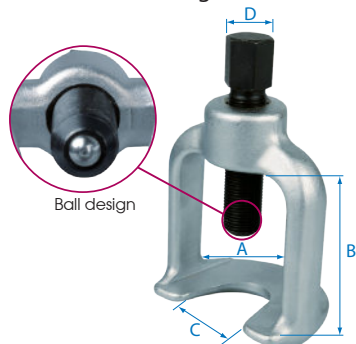
- Special design 2 stage operation, suits most cars and light trucks ball joints in steering & suspension
- Suitable for most European and Japanese vehicles



KT NO.	A mm	B(mm) Max Min	C mm	D mm	E mm	⚖️	📦
9BE21	160	50 12	20	22	32	1270	1 / 12

9BE4

- For quick and easy separation of ball joint pivots of pitman arms, steering tie rods, ball joints, etc
- Suitable for general trucks and vehicles
- For better safety operation & avoid damage



KT NO.	A mm	B mm	C mm	D mm	⚖️	📦
9BE41	36	40	18	17	364	1 / 36
9BE42	46	48	23	17	558	1 / 36
9BE43	62	62	29	19	925	1 / 12
9BE44	64	76	40	24	1658	1 / 12
9BE45	77	100	46	24	1858	1 / 12

Impact Ball Joint Separator

9HBE4

3/4"

- Use for quick separation of ball joint for heavy goods vehicle
- Extra deep design for tight space
- Use with impact tools



Heavy Goods Vehicle Ball Joint Separator

Size (mm)	Application
30	BMW (E39), Benz(W203/W210/W211/W220/W221), Mitsubishi Delica, Canter, Toyota Dyna etc...
39	"4 tons and European truck: Scania, Benz, MAN 414 drag link and Hino etc..."
47	"8.8 tons~10.5 tons truck: Hino, Isuzu, Nissan, UD,Fuso etc..."
58	Scania etc...
62	"15 tons~35 tons: Hino, Isuzu, Nissan, Fuso truck and bus etc..."
67	MAN(FE410A) etc...



KT NO.	A mm	B mm	⚖️	📦
9HBE4-30	30	95	2320	1 / 6
9HBE4-39	39	95	2320	1 / 6
9HBE4-47	47	95	2320	1 / 6



KT NO.	A mm	B mm	⚖️	📦
9HBE4-58	58	120	4200	1 / 6
9HBE4-62	62	120	4200	1 / 6
9HBE4-67	67	120	4200	1 / 6