

Air Hose Reel

7991

- Automatic rewind with SK 5-spring steel spring
- 16 teeth gear-stop ensures safety
- 300 psi working pressure allowed
- Sturdy structure with 0.7mm thick steel rail stored in iron case
- Replaceable air hose design & hanging rack



Do not pull the air hose when seeing tag



• Pull the air hose to the end till it shows joint replacement



• Install new air hose



• Dismantle connection



• 16 teeth gear design can spread stress evenly and stop returning

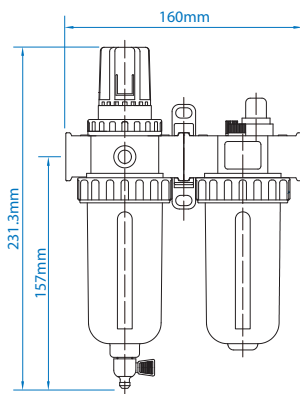
1 Bar = 1.01972 kgf/cm²
1 Bar = 14.5036 psi

KT NO.	Hose I.D. mm	Hose O.D. mm	Hose length (M)	Type	Air Inlet / outlet inch	Working pressure psi	kg	kg
79910-10	8	12	10	Asian	1/4"BSPT	300	5.5	1 / 2
79910-15	8	12	15	Asian	1/4"BSPT	300	6.5	1 / 2
79911-10	8	12	10	US	1/4"NPT	300	5.5	1 / 2
79911-15	8	12	15	US	1/4"NPT	300	6.5	1 / 2
79912-10	8	12	10	EU	1/4"BSPT	300	5.5	1 / 2
79912-15	8	12	15	EU	1/4"BSPT	300	6.5	1 / 2

Air Lubricator

799A

- Semi auto drain valve
- Steel guards offer better protection
- Easy installation and disassembly



KT NO.	Port Size (inch)	Filter Element (μ)	Max Input Pressure (psi)	Max Output Pressure (psi)	Max Flow (L/min)	Operation Temperature Range (°C)	Drain Capacity (ml)	Oil Capacity (ml)	Air Inlet (inch)	Weight (Kgs)	Weight (lbs)	kg
799A0-23C	1/4"	5	215	7~150	1750	5 ~ 60	80	150	1/4"BSPT	1.40	3.17	1 / 12
799A1-23C	1/4"	5	215	7~150	1750	5 ~ 60	80	150	1/4"NPT	1.42	3.17	1 / 12
799A0-33C	3/8"	5	215	7~150	2500	5 ~ 60	80	150	3/8"BSPT	1.14	2.51	1 / 12
799A1-33C	3/8"	5	215	7~150	2500	5 ~ 60	80	150	3/8"NPT	1.14	2.51	1 / 12
799A0-43C	1/2"	5	215	7~150	3000	5 ~ 60	80	150	1/2" BSPT / NPT	1.15	2.53	1 / 12