

Diesel Injector Extractor Tool

9AN021

- Use to remove injectors without dismantling the engine
- Suitable for Bosch injectors in Mercedes-Benz CDI engines 2.1 L and 2.2 L
- Application : Benz for Vito, Sprinter, Viano, C class, E class, CLC, CLK

2 1 / 6

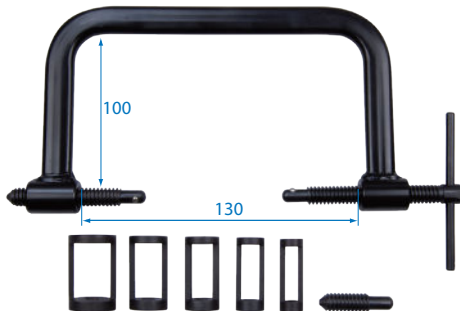


Valve Spring Compressor Set

9AH31

- Use for compress of motorcycle or small engines valve spring
- Adapter size : 16mm, 19mm, 23mm, 25mm and 30mm.
- Capacity : 130mm.
- Throat depth : 100mm

1.31 1 / 12



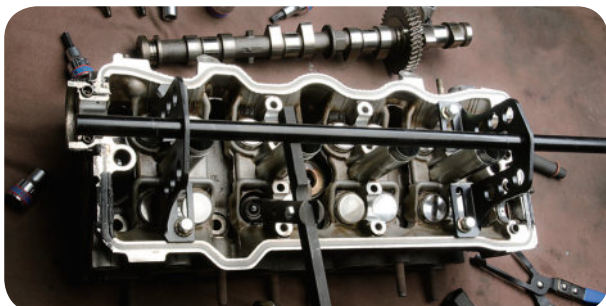
9AH12

- Complete service tool set for OHV & OHC petrol or diesel engines on Audi, Nissan, Toyota, Chrysler, Honda, Mazda, Mitsubishi, Saturn, Lexus, Hyundai, Infiniti, Porsche, Volvo, VW

3.75 1 / 5



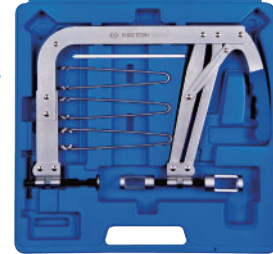
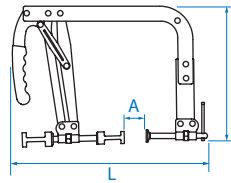
10 PC.



Valve Spring Compressor Set

9AH025

- Suitable for large engines & diesel engines
- Capacity: 35~140mm
- Unique direct action compressor lever gives improved visibility & ease of using in areas of difficult access.
- Dual size in 25 and 30mm adapter



5 PC.



KT NO.	A mm	B mm	L mm		
9AH025	35~140	280	390	5	1 / 5

Valve Lappers

9AH0311

- For hand lapping valves

100 12 / 108

2 PC.



KT NO. Diameter Cups Size

9AH0311	1-1/8" (29mm) 5/8" (16mm)	1-3/8" (35mm) 13/16" (21mm)
---------	------------------------------	--------------------------------

6 in 1 Fly Wheel Puller

9XAH1

- This tool is designed to offer 6 different sizes for the Flywheel wheel rings on motorcycles
- Sizes include: M20 x 1.5R / M14 x 1.5R / M16 x 1.5R / M18 x 1.5R / M24 x 1.0R / M27 x 1.0L

730 1 / 24

